

product information

model 4015



aluminium foot

also in leather available


bullfrog®
GERMANY

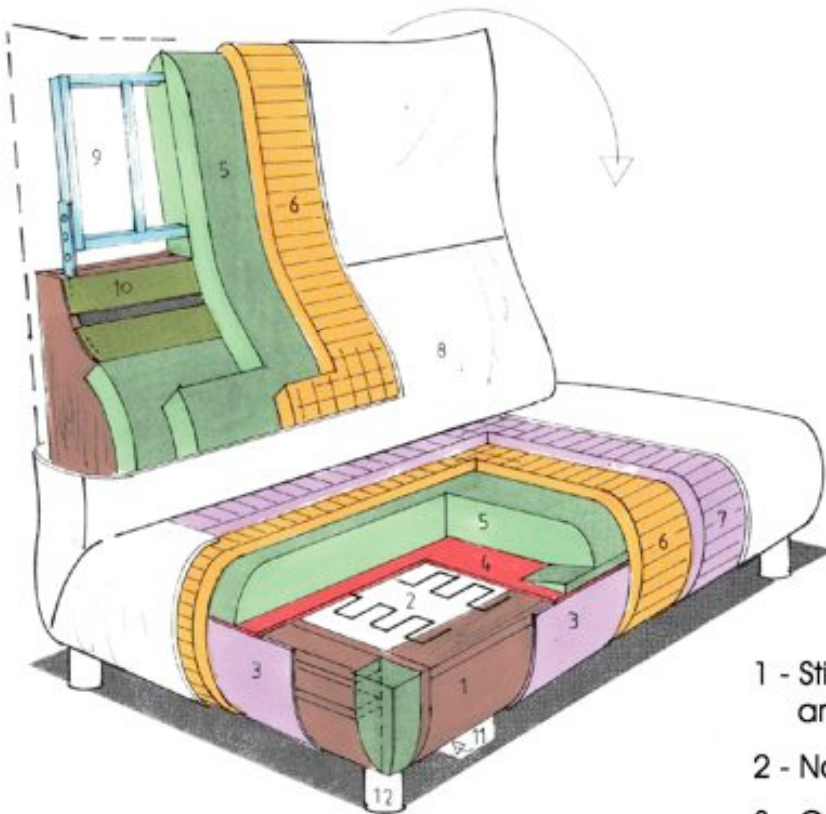
www.bullfrog-design.com

model 4015

design by kurt beier



...a swinging chair with elegant curves paired with maximum function, like the unique pending system - the oasis to relax in your living room, soft forms paired with functions induce to dream. Variable seat depth offered by the moveable backrest as interesting detail. Available as single element, sofa or even complete corner group...

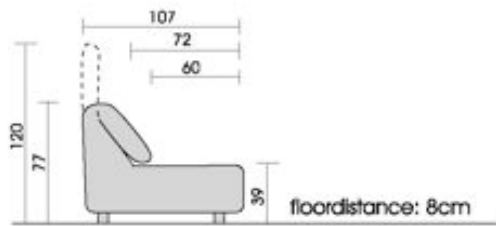


- 1 - Stillage made of flakeboard and solid wood
- 2 - Nosag steel springs
- 3 - Carton
- 4 - Nosag covering made of polyvlies
- 5 - Polyfoam
- 6 - 300 g/m² fleece glued
- 7 - 200 g/m² fleece sewed to the cover
- 8 - Cover
- 9 - Elastic straps
- 10 - Backrest:
continuously adjustable
- 11 - Typar as bottom closing
- 12 - Aluminium foot

quality in detail!

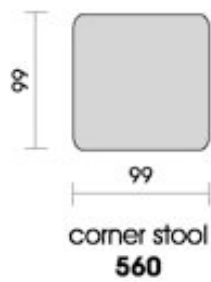
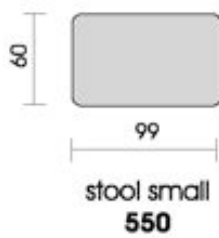
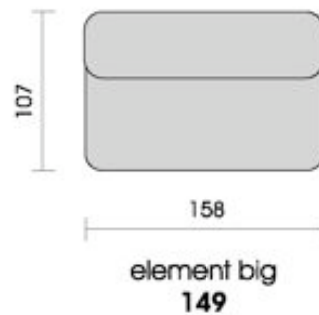
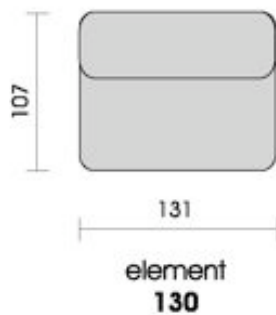
model 4015

design by kurt beier

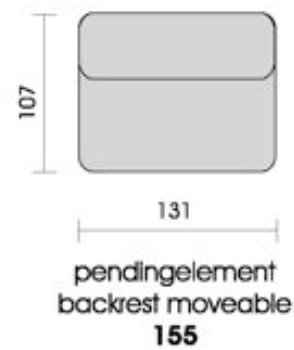


side view

foot 593 aluminium satined



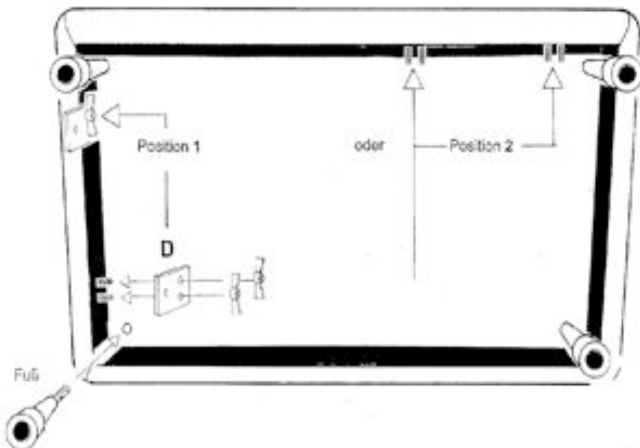
element with pendingfunction
for dynamic sitting



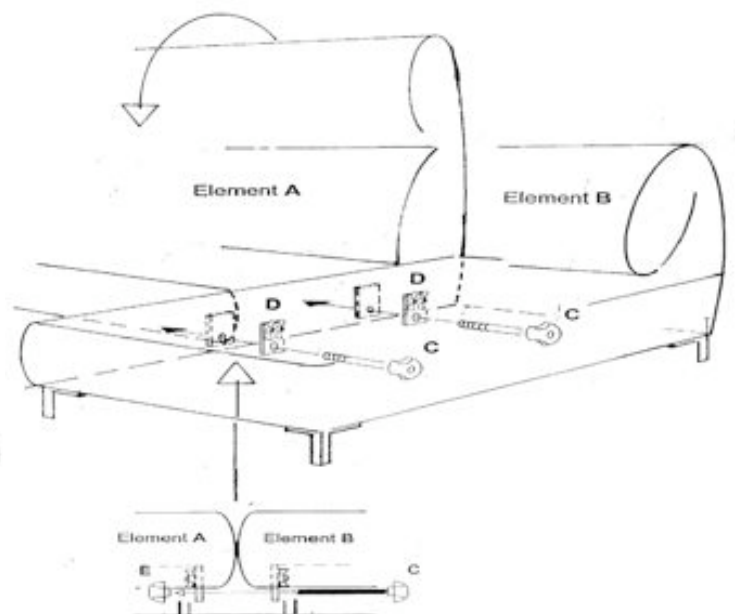
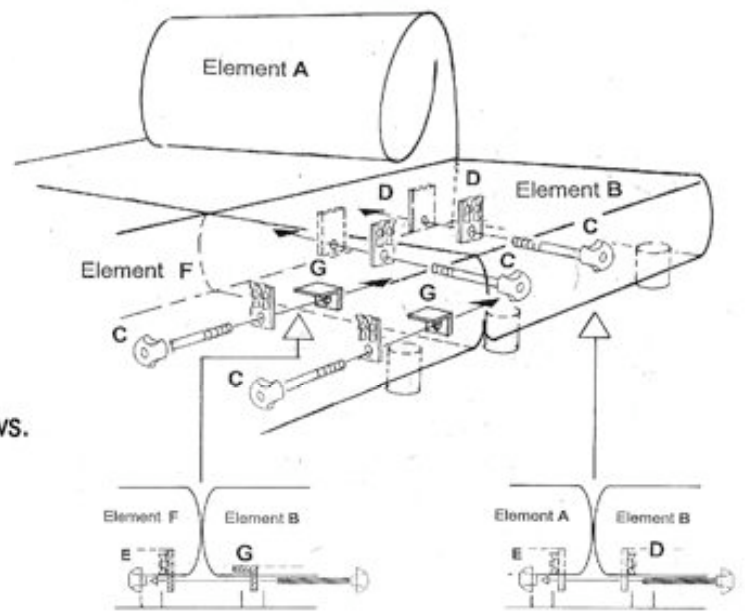
model 4015

design by kurt beier

Assembly instruction



1. Lay the seat on the backrest.
2. To connect the seats put the plates **D** on the headless pins and fasten the wing screws. The connector plates of the footstools are pre-assembled.
3. Put the seats in your desired set-up.
4. Put the headless pin with the stern handle through the holes of the connector plates **D** and fasten all with sternhandle **E**.



The seat depth and the backrest height can be adjusted variable by the moveable backrest!!!