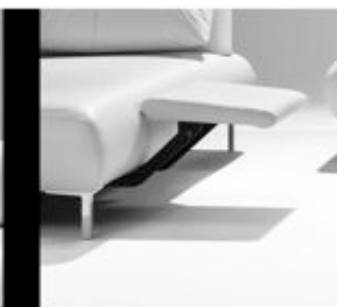


product information

model 4025



moveable backrest



optional the wheel-away
footstool



bullfrog GERMANY

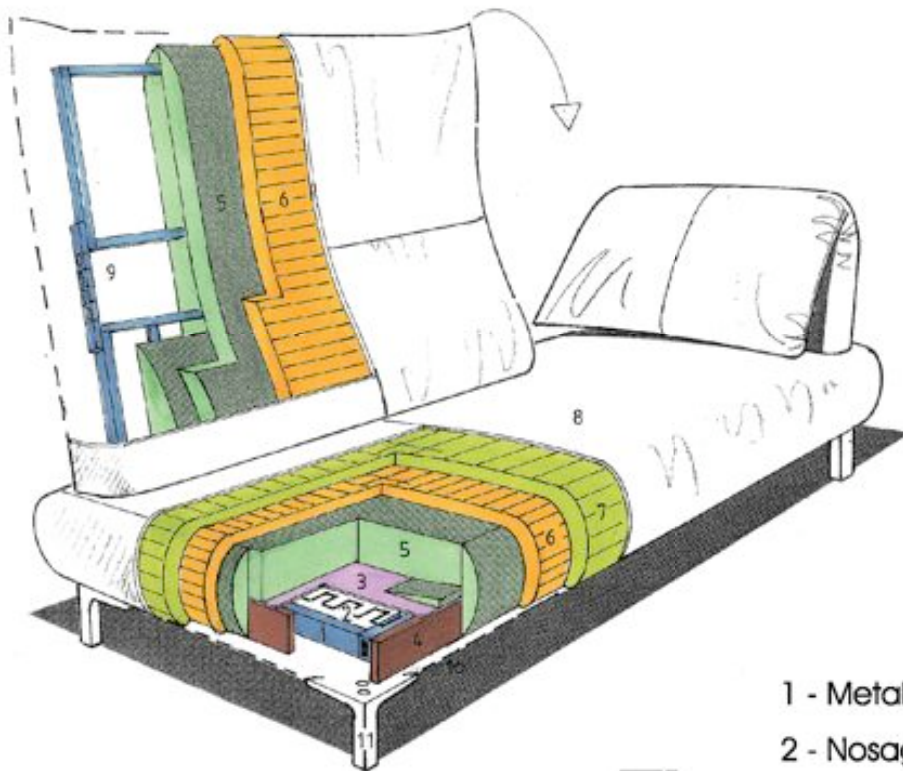
www.bullfrog-design.com

model 4025

design by kurt beier



...the moveable backrest and the wheel-away footstool as interesting details available as wonderful corner group or solitaire. Design paired with function. Variable seat depth offered by the moveable backrest. Take two pieces and get a wonderful corner group. But even the solitaire is coming on strong.

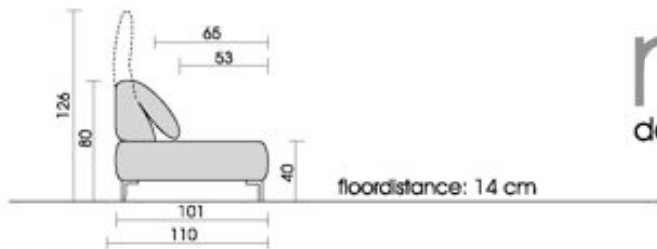


quality in detail!

- 1 - Metal frame
- 2 - Nosag steel springs
- 3 - Nosag covering made of polyvlies
- 4 - Plywood frame
- 5 - Polyfoam
- 6 - 200 g/m² fleece glued on the foam
- 7 - 200 g/m² fleece sewed to the cover
- 8 - Cover
- 9 - Backrest:
continuously adjustable
- 10 - Typar as bottom closing
- 11 - Satined aluminum foot

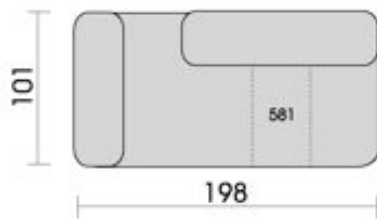
model 4025

design by kurt beier

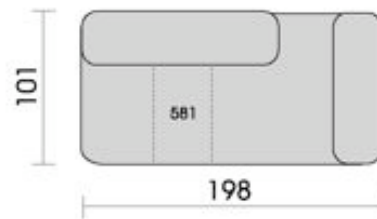


side view

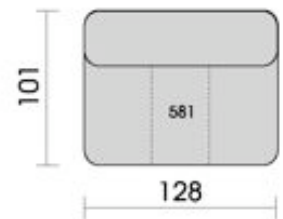
foot 587 aluminium polished



sofa 2-seat left
220



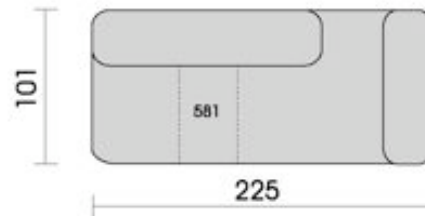
sofa 2-seat right
210



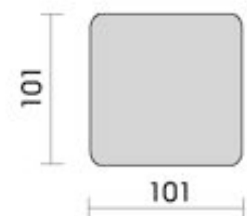
element
130



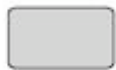
sofa 2,5-seat left
258



sofa 2,5-seat right
257



stool big
540



cushion
ca. 70 x 40 cm
519

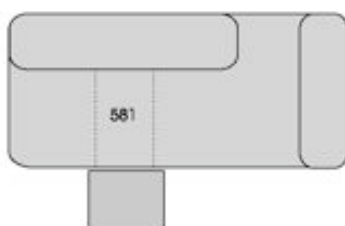
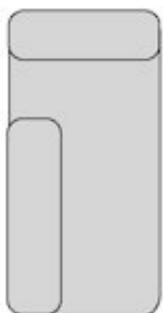


footstool mountable
overlay 50 x 40 cm
581

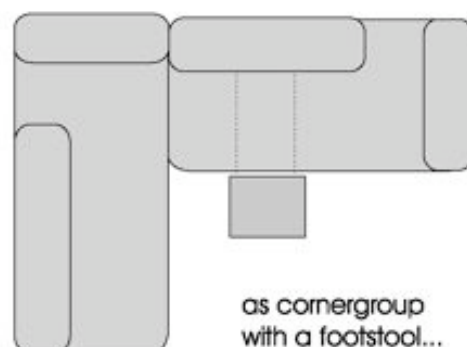
footstool **581** for types 210, 220, 130, 258 and 257

(possible fitting position = pointed line)

examples :



as single sofa
with a footstool...



as cornergroup
with a footstool...

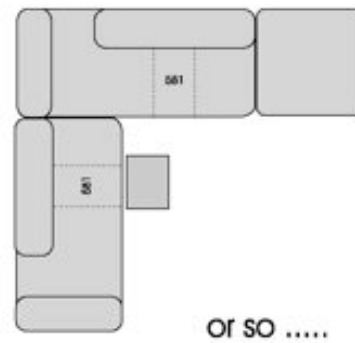
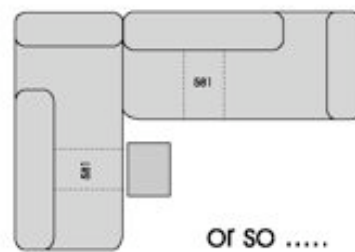
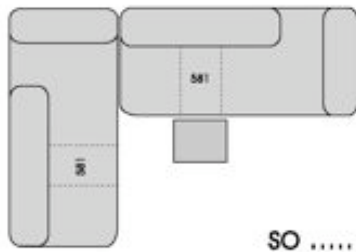
sales information

...for the wheel-away footstool

Only in these combinations 2 footstools are possible!



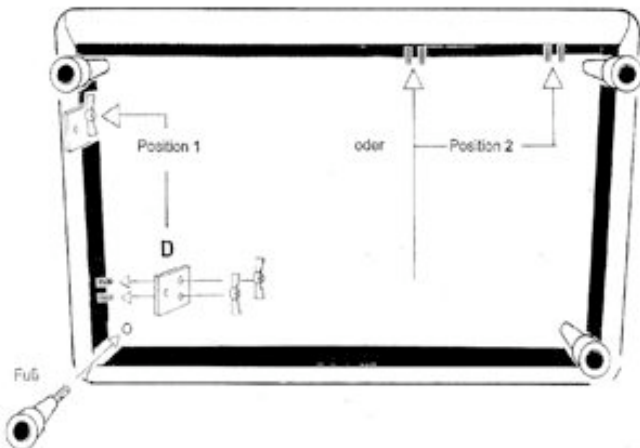
In these combinations one footstool is possible!



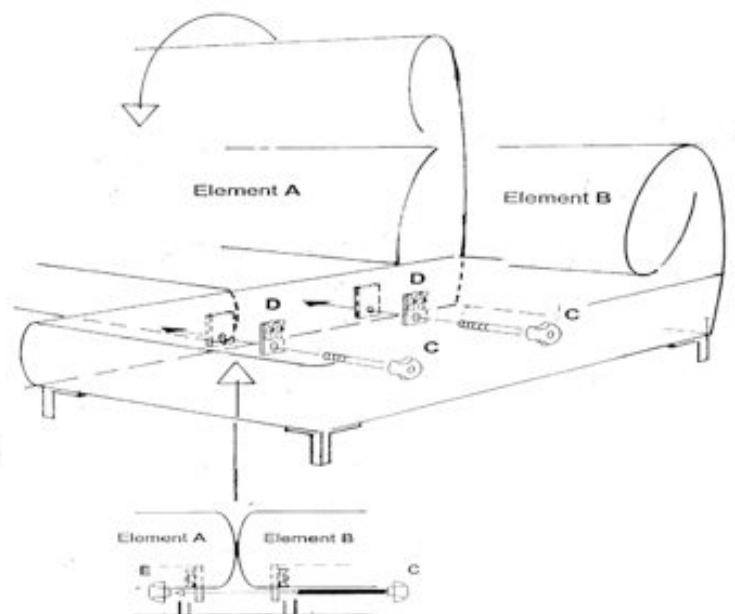
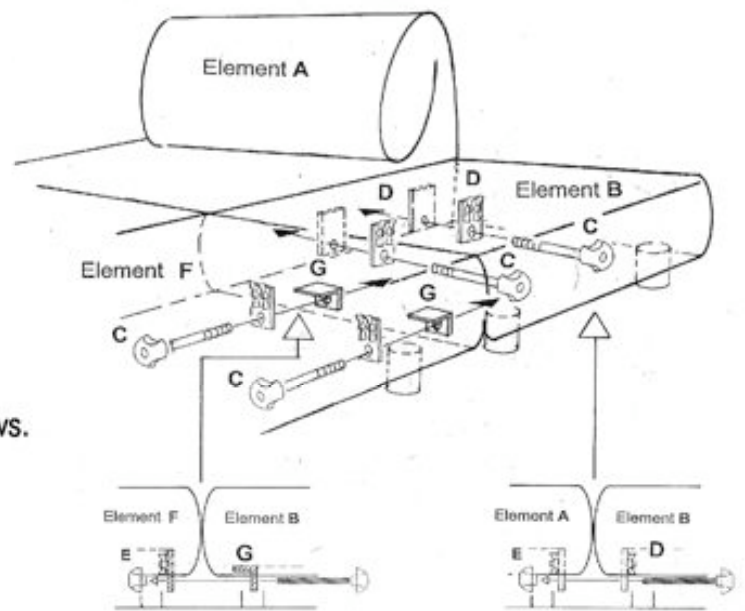
model 4025

design by kurt beier

Assembly instruction



1. Lay the seat on the backrest.
2. To connect the seats put the plates **D** on the headless pins and fasten the wing screws. The connector plates of the footstools are pre-assembled.
3. Put the seats in your desired set-up.
4. Put the headless pin with the stern handle through the holes of the connector plates **D** and fasten all with sternhandle **E**.

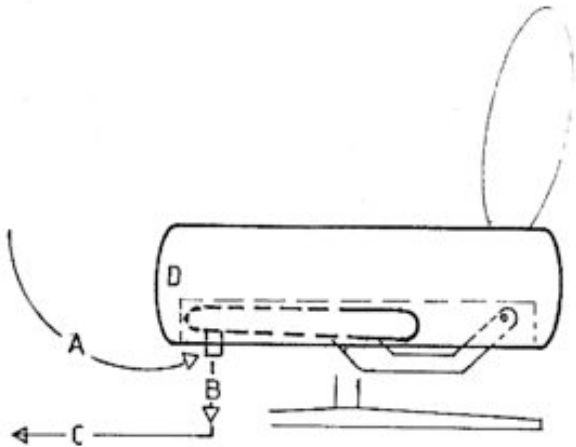


The seat depth and the backrest height can be adjusted variable by the moveable backrest!!!

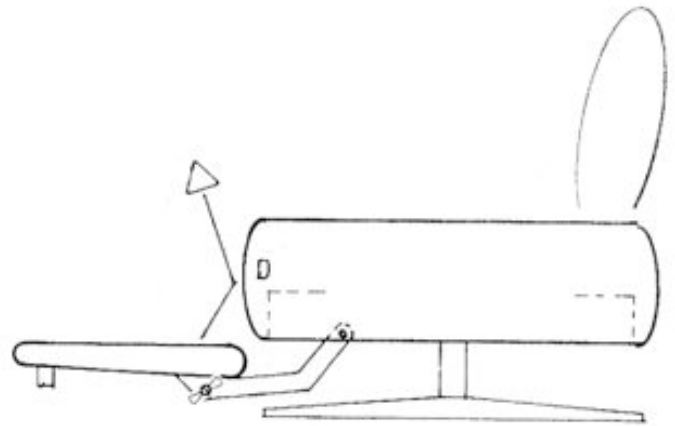
model 4025

design by kurt beier

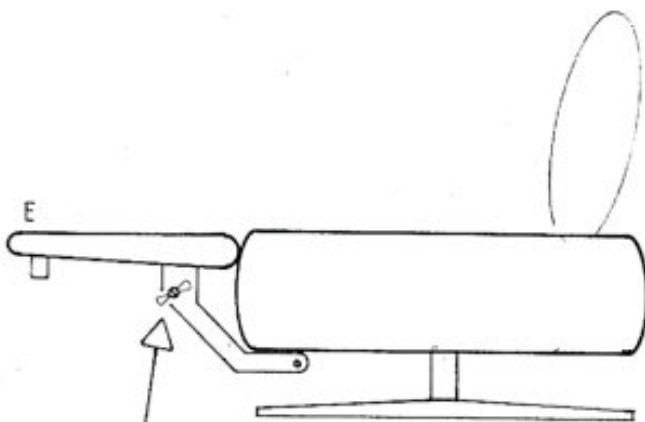
Instruction manual for footstool 581



1. **A** Grasp the loop of the footstool. Pull a little bit to the bottom **B** and then turn it out to the front **C**.

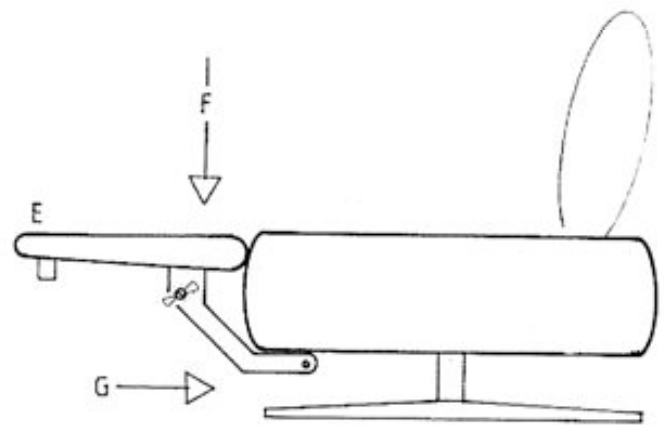


2. Pull the footstool upwards closed to the seat body **D** until you reach the end position **E**.

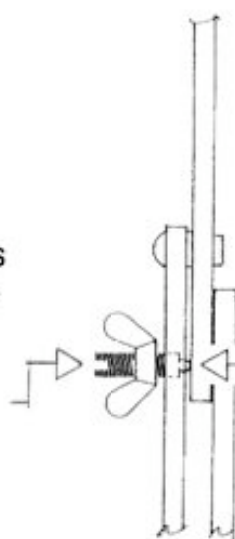


3. Endposition **E**.

5. If the mechanism runs too smooth (the footstool does not keep in the endposition) loosen the wing screws **H**. Then thighten the pressure piece screw a little bit (mechanism runs more stiff) and counter the wing screws again.



4. Push the footstool in the back **F** downwards and put it back under the sofa **G**.



Attention!!

Do not screw the pressure piece too tight, otherwise the mechanism does not function. In this case screw the pressure piece back.